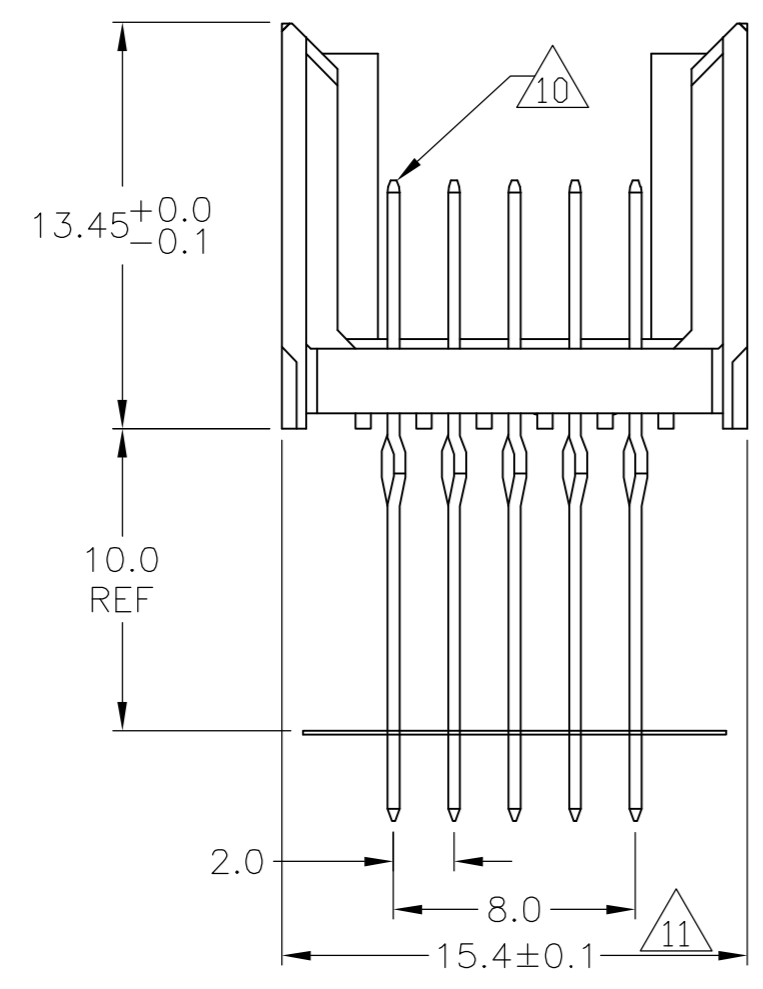
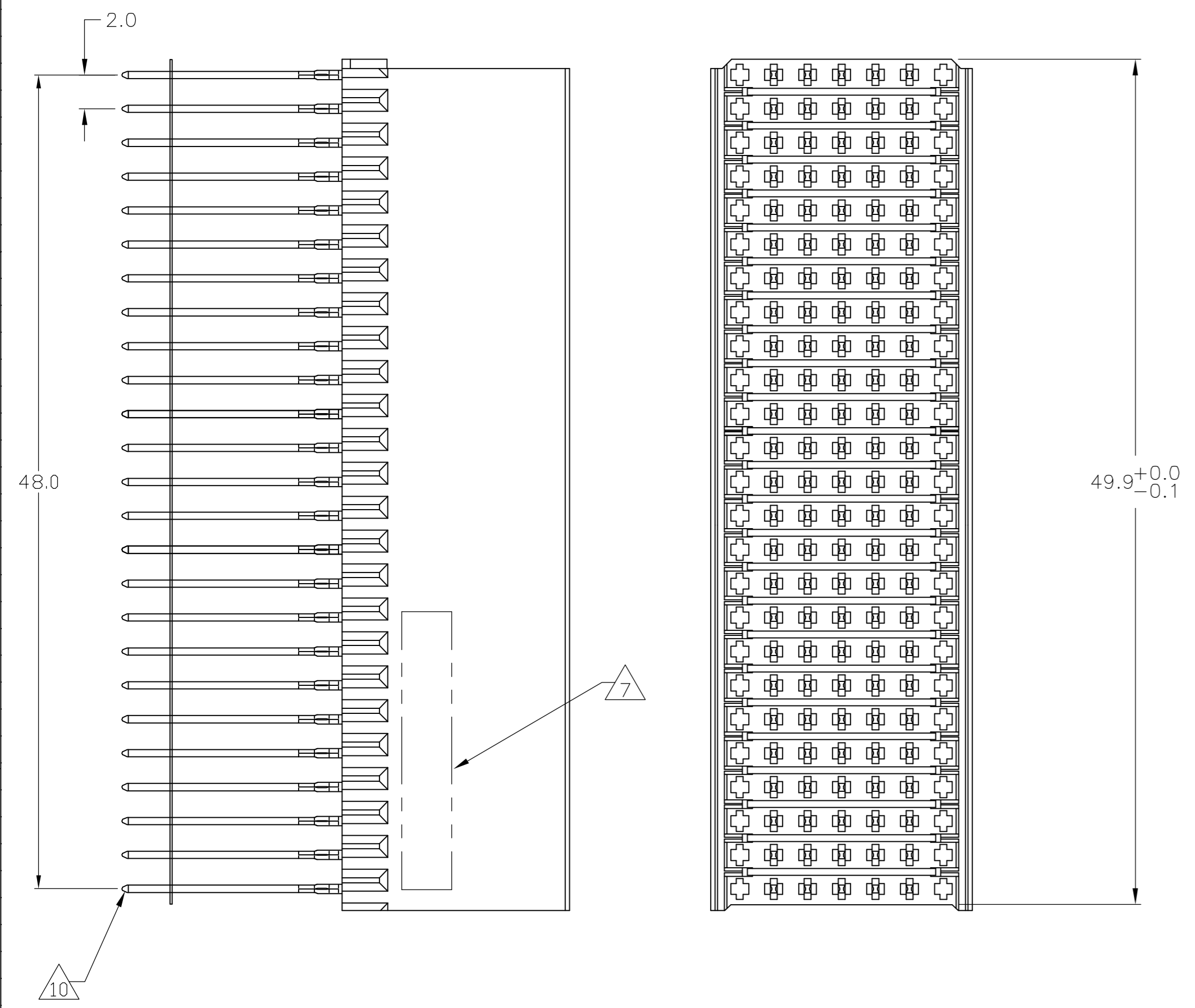
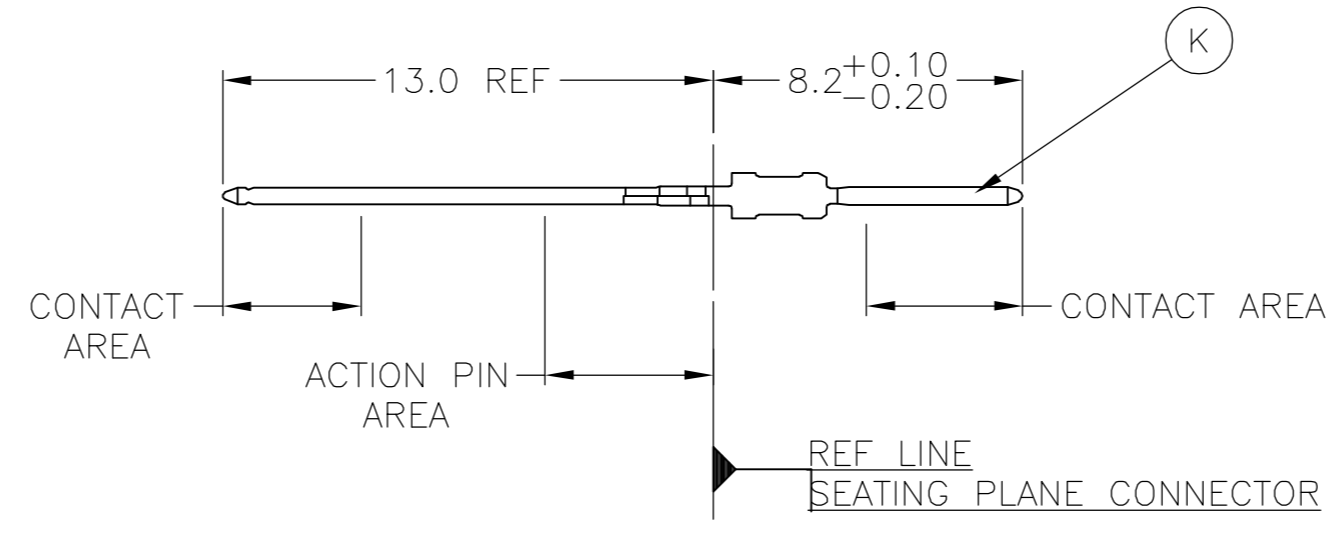


| LOC |    | DIST |     | REVISIONS |              |         |     |      |
|-----|----|------|-----|-----------|--------------|---------|-----|------|
| AD  | 00 | REV  | PER | EC        | OS12-0304-05 | DATE    | DWN | APVD |
| E   |    |      |     |           |              | 23MAY06 | BC  | GS   |

CONNECTOR ASSEMBLY  
 EXAMPLARY LOADED  $\triangle 9$



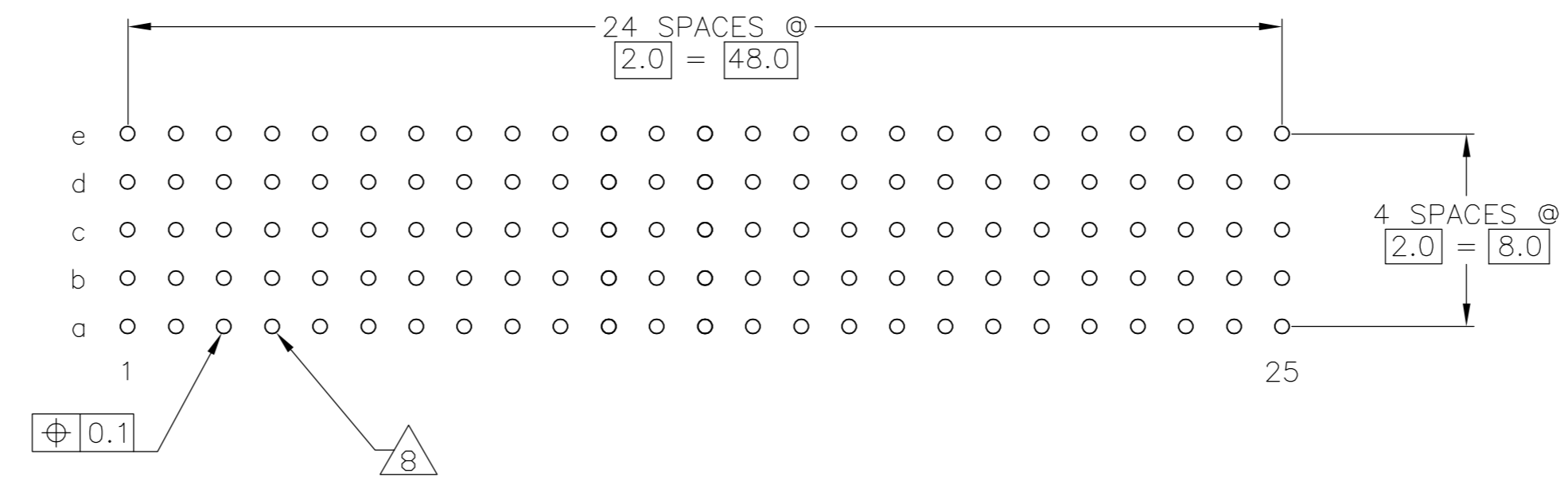
CONTACT DIMENSIONS  
 SCALE 5:1



CONTACT LAYOUT

|    | z | a | b | c | d | e | f |
|----|---|---|---|---|---|---|---|
| 1  |   | K | K | K | K | K |   |
| 2  |   | K | K | K | K | K |   |
| 3  |   | K | K | K | K | K |   |
| 4  |   | K | K | K | K | K |   |
| 5  |   | K | K | K | K | K |   |
| 6  |   | K | K | K | K | K |   |
| 7  |   | K | K | K | K | K |   |
| 8  |   | K | K | K | K | K |   |
| 9  |   | K | K | K | K | K |   |
| 10 |   | K | K | K | K | K |   |
| 11 |   | K | K | K | K | K |   |
| 12 |   | K | K | K | K | K |   |
| 13 |   | K | K | K | K | K |   |
| 14 |   | K | K | K | K | K |   |
| 15 |   | K | K | K | K | K |   |
| 16 |   | K | K | K | K | K |   |
| 17 |   | K | K | K | K | K |   |
| 18 |   | K | K | K | K | K |   |
| 19 |   | K | K | K | K | K |   |
| 20 |   | K | K | K | K | K |   |
| 21 |   | K | K | K | K | K |   |
| 22 |   | K | K | K | K | K |   |
| 23 |   | K | K | K | K | K |   |
| 24 |   | K | K | K | K | K |   |
| 25 |   | K | K | K | K | K |   |

RECOMMENDED PCB-HOLE LAYOUT  
 COMPONENT SIDE SHOWN



PLATED THRU HOLES PARAMETERS  
 REFERENCE APPLICATION SPECIFICATION

|               |               |                |            |
|---------------|---------------|----------------|------------|
| $\triangle 2$ | $\triangle 6$ | $\triangle 12$ | 1-106165-9 |
| $\triangle 2$ | $\triangle 5$ | $\triangle 12$ | 106165-9   |
| $\triangle 2$ | $\triangle 4$ |                | 106165-4   |
| $\triangle 2$ | $\triangle 3$ |                | 106165-1   |
| FINISH        |               | PART NUMBER    |            |

THIS DRAWING IS A CONTROLLED DOCUMENT.

|                  |           |  |                                      |
|------------------|-----------|--|--------------------------------------|
| DWG: B. CARBO    | 24JAN05   |  | Tyco Electronics Corporation         |
| DWG: G. SKIPPER  | 24JAN05   |  | Harrisburg, Pa 17105-3608            |
| APVD: G. SKIPPER | 24JAN05   | NAME                                     | MALE ASSEMBLY, Z-PACK 2mm HM, TYPE B |
| PRODUCT SPEC     |           | 108-19082                                |                                      |
| APPLICATION SPEC |           | 114-19029                                |                                      |
| MATERIAL         | FINISH    | WEIGHT                                   | RESTRICTED TO                        |
| $\triangle 1$    | SEE TABLE | A1 00779 $\text{\textcircled{C}}$ 106165 |                                      |
| CUSTOMER DRAWING |           | SCALE 4:1                                | SHEET 1 OF 2 REV E                   |

| LOC | DIST | REVISIONS   |      |    |      |
|-----|------|-------------|------|----|------|
| P   | LTR  | DESCRIPTION | DATE | DN | APVD |
| AD  | 00   | SEE SHEET 1 | -    | -  | -    |

- 1 MATERIAL:  
CONTACT: PHOSPHOR BRONZE.  
HOUSING: GLASS-FILLED POLYESTER.
- 2 GENERAL PLATING SPECIFICATION: UNDERPLATING  
(ENTIRE CONTACT): 1.27µm MIN NICKEL AND ACTION  
PIN: 0.5µm MIN TIN/LEAD.  
FOR PLATING OF MATING SURFACES SEE APPLICABLE  
SPECIFICATION REFERENCE FOR EACH DASH NUMBER.
- 3 CONFORMS TO ALL TESTING ACCORDING TO IEC 61076-4-101  
PERFORMANCE LEVEL 2.
- 4 CONFORMS TO ALL TESTING ACCORDING TO IEC 61076-4-101  
PERFORMANCE LEVEL 1.
- 5 CONNECTOR TESTED AND QUALIFIED AGAINST TELCORDIA GR-1217-CORE QUALITY LEVEL 3,  
CENTRAL OFFICE APPLICATIONS.
- 6 CONNECTOR TESTED AND QUALIFIED AGAINST TELCORDIA GR-1217-CORE QUALITY LEVEL 3,  
UNCONTROLLED ENVIROMENT APPLICATIONS.
- 7 CONNECTOR MARKED WITH PART NUMBER AND DATE CODE.  
ADDITIONAL CHARACTERS OR MARKINGS, AS WELL AS THE LOCATION OF THE MARKINGS,  
MAY BE ADDED FOR TRACEABILITY BASED UPON MANUFACTURERS DISCRETION.
- 8 PLATED-THROUGH HOLES AT 2x2mm SQUARE GRID  
PATTERN DEFINED BY CONTACT LAYOUT.
- 9 FOR ACTUAL PIN LOADING SEE "CONTACT LAYOUT".
- 10 FOR ACTUAL PIN DIMENSIONS SEE "CONTACT DIMENSIONS".
- 11 TO BE MEASURED AT BOTTOM OF SHROUD.
- 12 CONNECTOR LUBRICATED WITH BELCORE APPROVED LUBRICANT,  
TECHNICAL REFERENCE: TR-NWT-001217 ISSUE 1, SEP 1992.

|   |  |                               |         |                            |   |                      |
|---|--|-------------------------------|---------|----------------------------|---|----------------------|
| THIS DRAWING IS A CONTROLLED DOCUMENT.    |  | DIN<br>B CARBO                | 24JAN05 | <b>tyco</b><br>Electronics | Tyco Electronics Corporation<br>Harrisburg, Pa 17105-3608 |                      |
| DIMENSIONS:<br>mm                         |  | CHK<br>G SKIPPER              | 24JAN05 |                            | NAME<br>MALE ASSEMBLY, Z-PACK 2mm HM,<br>TYPE B           |                      |
| TOLERANCES UNLESS<br>OTHERWISE SPECIFIED: |  | APVD<br>G SKIPPER             | 24JAN05 | PRODUCT SPEC<br>108-19082  |   |                      |
| 0 PLC ± -                                 |  | APPLICATION SPEC<br>114-19029 |         | RESTRICTED TO              |   |                      |
| 1 PLC ± 0.1                               |  | SIZE<br>A1                    |         | CAGE CODE<br>00779         |   | DRAWING NO<br>106165 |
| 2 PLC ± -                                 |  | WEIGHT<br>-                   |         | SCALE<br>4:1               |   |                      |
| 3 PLC ± -                                 |  | MATERIAL<br>SEE SHEET 1       |         | SHEET<br>2                 |   | OF<br>2              |
| 4 PLC ± -                                 |  | FINISH<br>SEE SHEET 1         |         | REV<br>E                   |   |                      |
| ANGLES ± ± -                              |  | CUSTOMER DRAWING              |         |                            |   |                      |